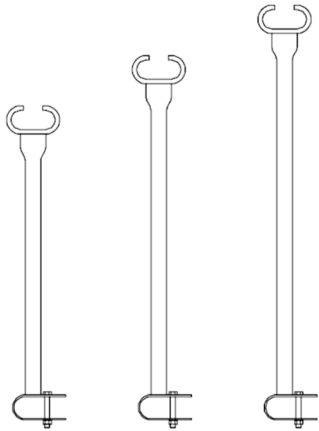
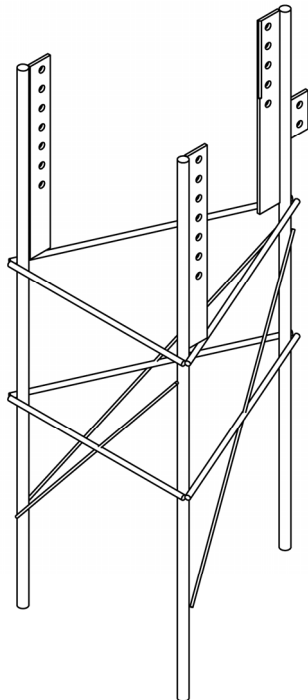


# Telescoping Tower Accessories



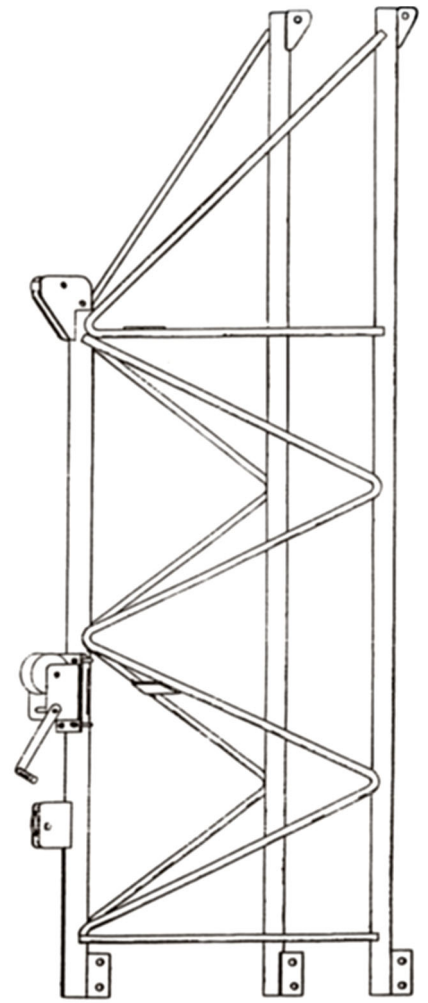
## Coax Standoff Kits

CO-2 for 2 for LM-237	441-00406
CO-3 for 3 for WT-51	441-00404
CO-3 for 3 for LM-354E	441-00407
CO-3 for 3 for LM-354HD	441-00409
CO-4 for 4 for LM-470	441-00408
CO-4 for 4 for DX-70	441-00413
CO-5 for 5 for DX-86	441-00411



## Rigid Concrete Base

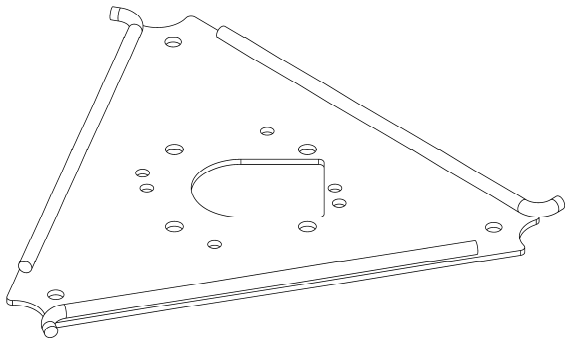
RCB-37/51LT for LM-237 & WT-51	400-0040
RCB-54LT for LM-354E	400-00401
RCB-70LT for LM-354HD & LM-470	460-00170
RCB-86LT for DX-86 & DX-70	481-00300
RCB-36 for W-36	400-0136
RCB-86HD for DX-86HD & DX-70HD	486-00300



## Tilt-Over Accessory

TA-37 for LM-237	412-00401
TA-51L for WT-51	412-00402
TA-54L for LM-354E	415-00401
TA-70L for LM354HD & LM-470	417-00401
TA_86L for DX-86 & DX-70	481-00301
TA_86HD for DX-86HD & DX-70HD	486-00301

# Telescoping Tower Accessories



## CDR Rotator Plate

480-00004 CDR Rotator Plate  
for WT-51, MW-33 & W-67

115-00308 CDR Rotator Plate  
for LM-237, LM-354E, LM-470, DX-86 & DX-100HD

454-00104 CDR Rotator Plate  
for LM-354HD, DX-70 & DX-86HD

460-00129 T2R Rotator Plate  
for WT-51, MW-33 & W-67

460-00128 T2R Rotator Plate  
for LM-237, LM-354E, LM-470, DX-86 & DX-100HD

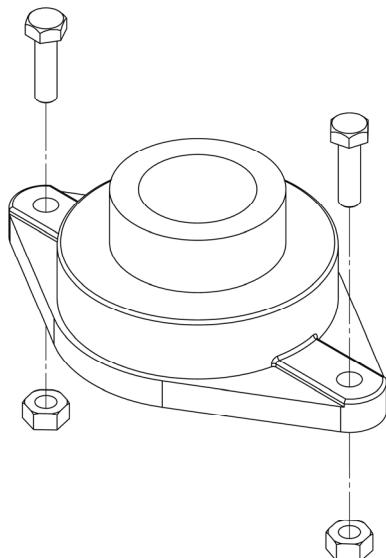
454-00117 T2R Rotator Plate  
for LM-354HD, DX-70 & DX-86HD

## Mast Anchor Plate

480-00102 Mast Anchor Plate  
for WT-51, MW-33 & W-67

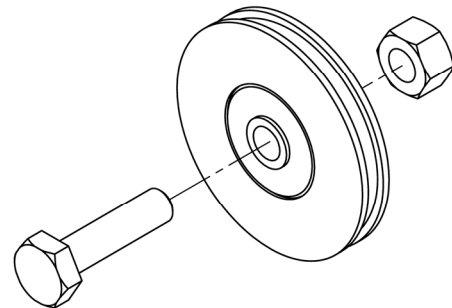
115-00307 Mast Anchor Plate  
for LM-237, LM-354E, LM-470, DX-86 & DX-100HD

454-00103 Mast Anchor Plate  
for LM-354HD, DX-70 & DX-86HD



## TB2 Bearing

For 2" Mast 400-00089



## Pulley Assembly

Pulley Assembly, 4A/K8 Bearing 045-0125

Pulley Assembly, 5A/K8 Bearing 045-0150