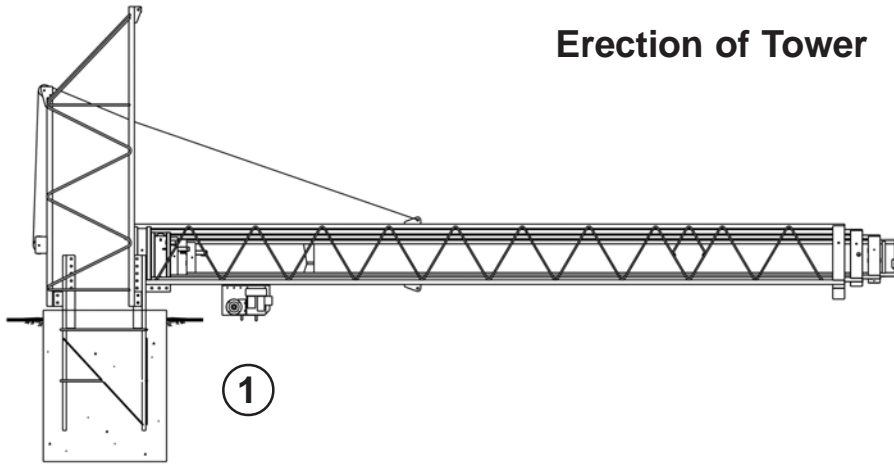
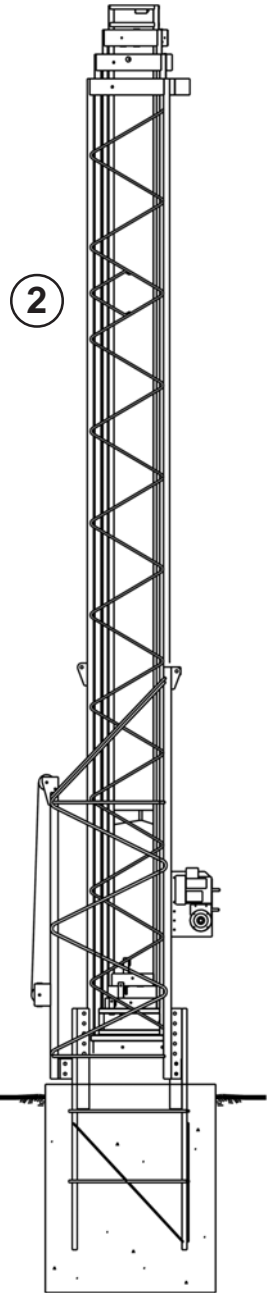
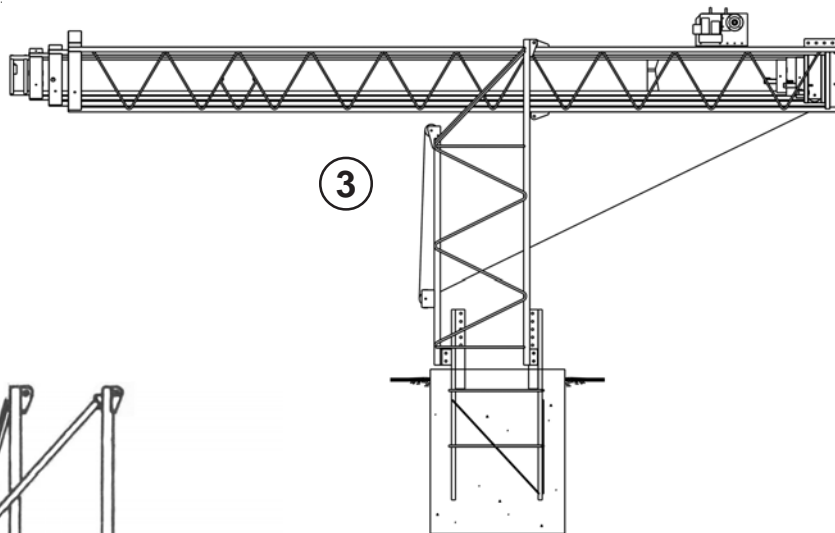


Tilt-Over Accessory

Erection of Tower



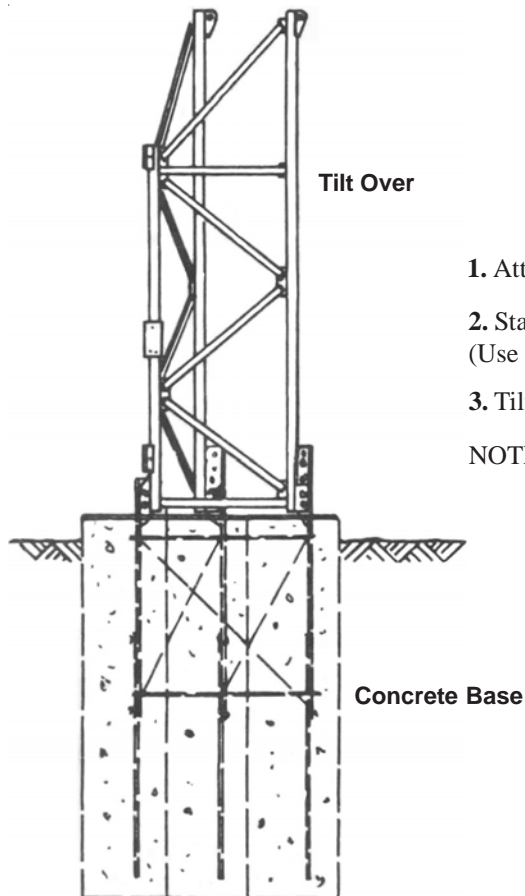
Antenna Working Position



Tilt Over

1. Attach Tower to base in horizontal position.
2. Stand Tower vertical with Tilt-Over base.
(Use winch for raising.) Install hinge bolts at top of base.
3. Tilt Tower over into antenna installation or adjustment position.

NOTE: The winch does all the work.



Tilt-Over Accessory

Model	Weight
TA-37L for LM-237	120 lb.
TA-54L for LM-354	125 lb.
TA-70L for LM-470	130 lb.