

# Model No. WT-67

**TYPE:** Self-supporting, extendable, manual crank-up tower.

**SPECIFICATIONS:**

TOWER HEIGHT: Extended 67'. Retracted 21'-6".

TOWER SUPPORT: Self-supporting, no guys.

WIND LOADING: Engineering analysis indicates the tower will support an antenna with an equivalent effective projected area of 11-ft<sup>2</sup> at a basic wind speed of 100 MPH, 3-second gust per ANSI/TIA-222-H.

DEAD LOAD: The maximum antenna dead load is 250 lbs.

WEIGHT: The tower with the base weighs 700 pounds.

SECTIONS: The tower is made from three each 20 foot sections, #4, #5, #6 and #7 is the base

**DESCRIPTION:**

Tower is complete with a manual crank-up winch and hoisting cables, and a rigid concrete base mount. The tower is designed to extend the tower telescopic sections uniformly. With your purchase, a user's manual and stamped set drawings and calculations is provided.

This tower has pulley frame on one face only. The lifting cable is 1/4 x 7 x 19 aircraft cable.

Because of high strength tubing and the bracing of solid rod, this design is considered to be the strongest engineering configuration for towers, yet saves weight, resists torsion load and reduces wind resistance, allowing more useful load to be installed on the tower.

**ACCESSORIES:**

RCB-54LT (#7 Wide Section)

W-67 Manual, Drawings,

& Calculations

TB-2 Thrust Bearing

CO-3 for WT-67

Masts

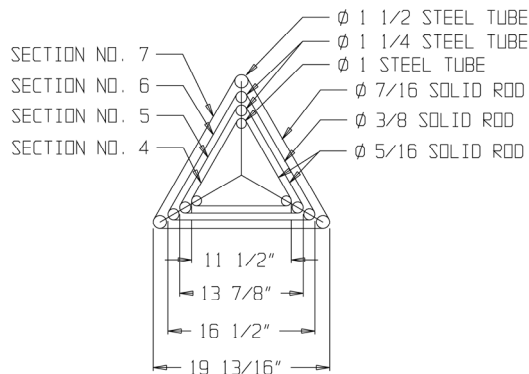
TA-54

#4 Rotator Plates

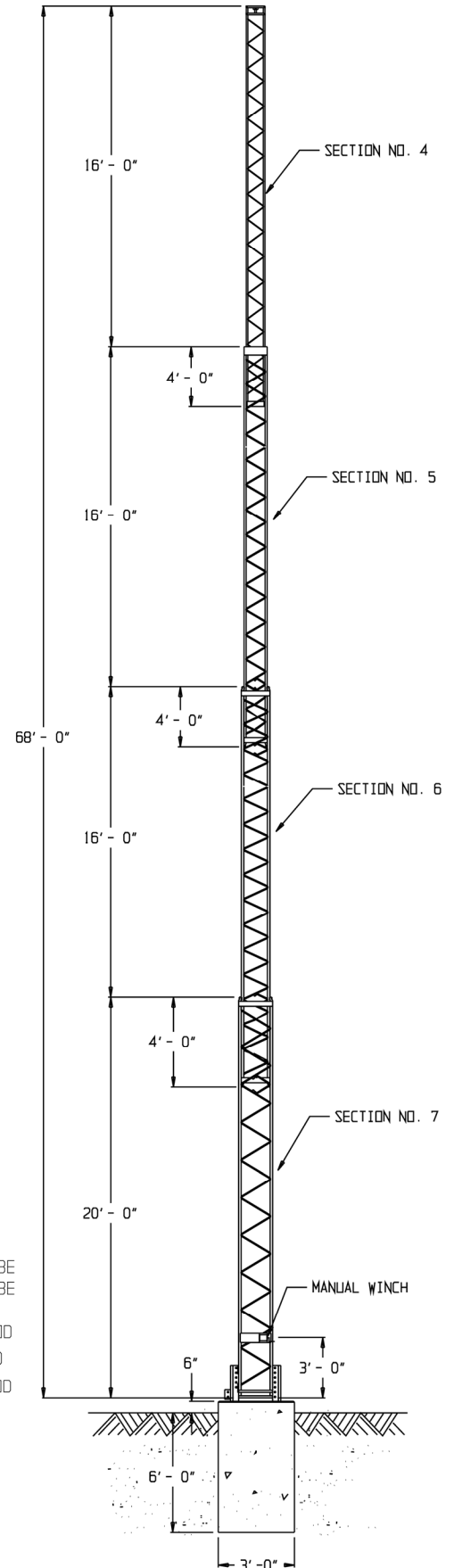
Replacement Pulleys

Cable Kit for WT-67

Manual Winch



TOWER CROSS SECTION



**PART# 467-4000 \$6,639.00 USD**