

Model No. DX-100HD

TYPE: Self-supporting, extendable, motorized heavy duty crank-up tower.

SPECIFICATIONS:

TOWER HEIGHT: Extended 100'. Retracted 32'.

TOWER SUPPORT: Self-supporting no guys.

WIND LOADING: Engineering analysis indicates the tower will support an antenna with an equivalent effective projected area of 40-ft² at a basic wind speed of 100 MPH, 3-second gust per ANSI/TIA-222-H. Exposure C, No Crest, Topo

This tower is suggested for high wind areas where heavy loading is required.

DEAD LOAD: The maximum antenna dead load is 500 lbs.

WEIGHT: The tower with the base weighs 3,400 pounds.

SECTIONS: The tower is made from 6 each 20 foot sections #5, #6, #7, #8, #9 and #10.

DESCRIPTION:

Tower is complete with a 100:1 gearbox, 1.5 hp electric motor, drum, dual 5/16 x 7 x 19 aircraft lift cables, positive pull down and a rigid concrete base mount, RCB #10. The tower is designed to extend the tower telescopic sections uniformly. With your purchase, a user's manual is included.

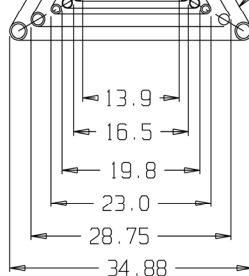
The DX-86HD has pulley frames on all three sides.

The DX-86HD is built with high strength tubing and the bracing is made of solid rod. This design is a strong engineering configuration, yet save weight, resists torsion, and reduces wind load, allowing for more antenna load to be installed on the tower.

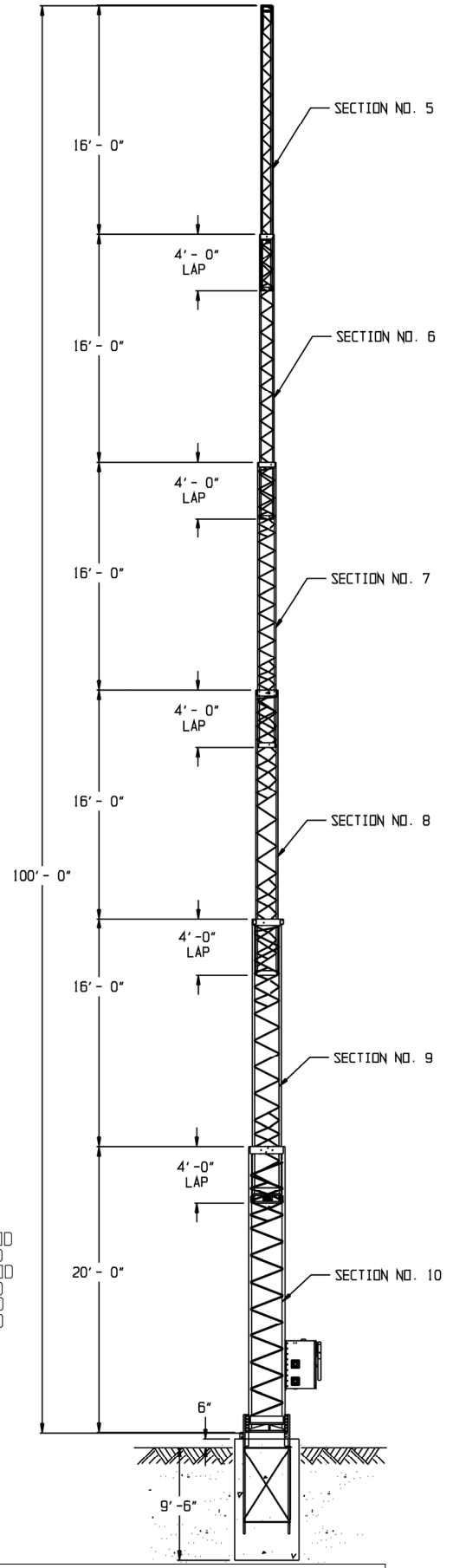
ACCESSORIES:

- DX-100HD manual
- Drawings & Calculations
- RCB #10
- TB-2 Thrust Bearing
- CO-6 for DX-100HD
- Masts
- TA #10
- Replacement Pulleys
- #5 Rotator Plates
- Cable Kit for DX-100HD
- RLT

- SECTION NO. 10 → Ø 2 1/2 STEEL TUBE
- SECTION NO. 9 → Ø 2 STEEL TUBE
- SECTION NO. 8 → Ø 1 1/2 STEEL TUBE
- SECTION NO. 7 → Ø 1 1/4 STEEL TUBE
- SECTION NO. 6 → Ø 5/16 SOLID ROD
- SECTION NO. 5 → Ø 3/8 SOLID ROD
- Ø 7/16 SOLID ROD
- Ø 1/2 SOLID ROD
- Ø 5/8 SOLID ROD
- Ø 7/8 SOLID ROD



TOWER CROSS SECTION



PART# 485-4000 \$36,050.00 USD