

Model No. DX-70

TYPE: Self-supporting, extendable, crank-up tower.

SPECIFICATIONS:

TOWER HEIGHT: Extended 70'. Retracted 24'-6".

TOWER SUPPORT: Self-supporting no guys.

WIND LOADING: Engineering analysis indicates the tower will support an antenna with an equivalent effective projected area of 45-ft² at a basic wind speed of 100 MPH, 3-second gust per ANSI/TIA-222-H.

DEAD LOAD: The maximum antenna dead load is 500 lbs.

WEIGHT: The tower with the base weighs 1975 pounds.

SECTIONS: The tower is made from 4 each 20 foot sections #6, #7, #8 and #9.

DESCRIPTION:

Tower is complete with a gearbox, drum, hoisting cables, and a rigid concrete base mount. The tower comes equipped with a rotator plate, manual and one set of drawings and calculations. Hoisting cable system designed to extend the tower telescopic sections uniformly.

The DX-70 is motorized with a 1 HP electric motor, electric control box and two limit switches wired for 220 V. This tower has a positive pull down. "Positive Control" worm gear winch permits the raising and lowering of DX towers without the aid of stops or locks. DX-86 uses a 50:1 ratio winch. The DX-70 also includes a pre-wired motor control assembly.

This tower has a pulley frame on 3 faces and uses 5/16 x 7 x 19 aircraft cable.

ACCESSORIES:

RCB-86 LT (#9 Wide Section)

TB-2 Thrust Bearing

CO-4 for DX-86

Masts

TA-86

Replacement Pulleys

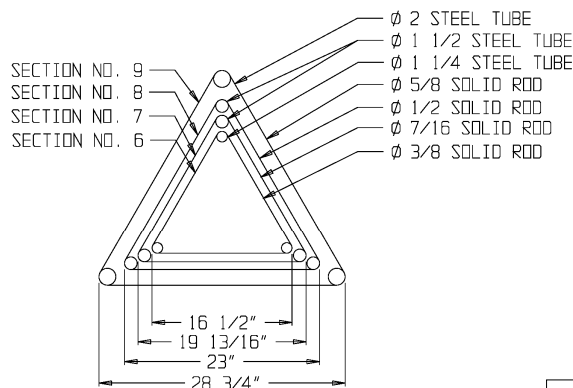
#6 Rotator Plates

DX-70 manual, Drawings

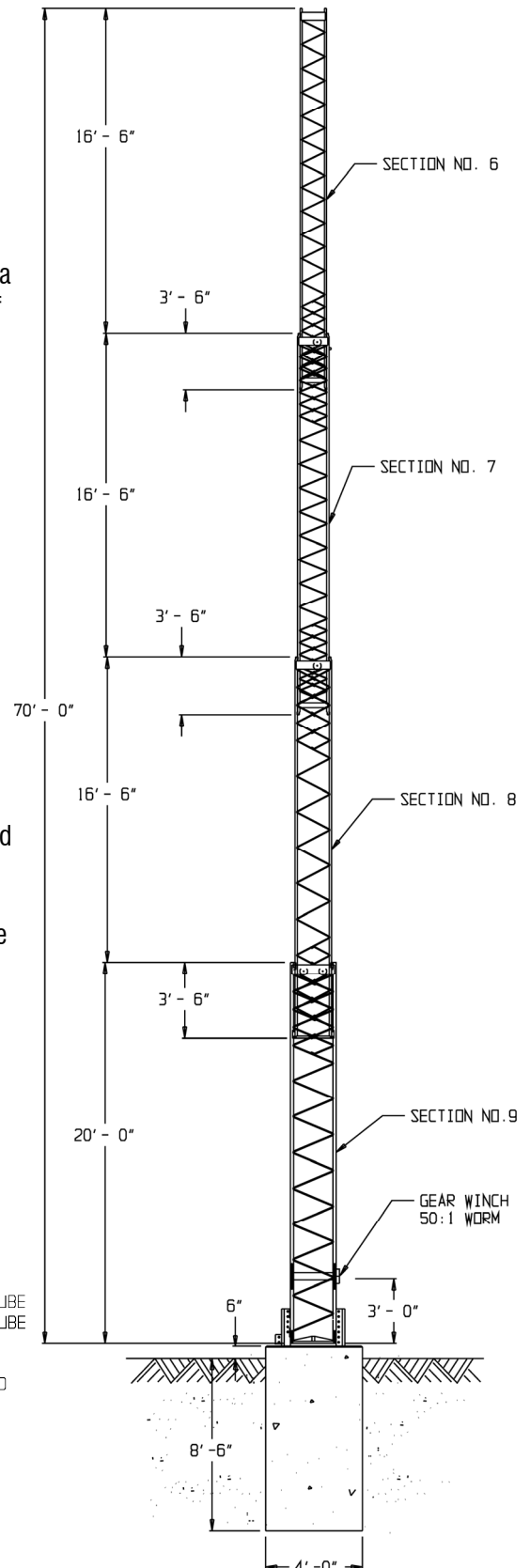
& Calculations

Cable Kit for DX-70

RLT



TOWER CROSS SECTION



PART NUMBER: 480-4000 **\$17,511.00 USD**