

# Model No. LM-354

**TYPE:** Self-supporting, extendable, crank-up tower.

**SPECIFICATIONS:**

TOWER HEIGHT: Extended 53'-9". Retracted 21'-6".

TOWER SUPPORT: Self-supporting, no guys.

WIND LOADING: Engineering analysis indicates the tower will support an antenna with an equivalent effective projected area of 18-ft<sup>2</sup> at a basic wind speed of 100 MPH, 3-second gust per ANSI/TIA-222-H.

DEAD LOAD: The maximum antenna dead load is 350 lbs.

WEIGHT: The tower with the base weighs 660 pounds.

SECTIONS: The tower is made from three each 20 foot sections #5, #6 and #7.

**DESCRIPTION:**

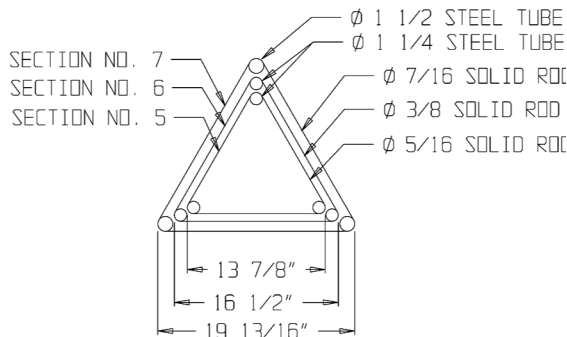
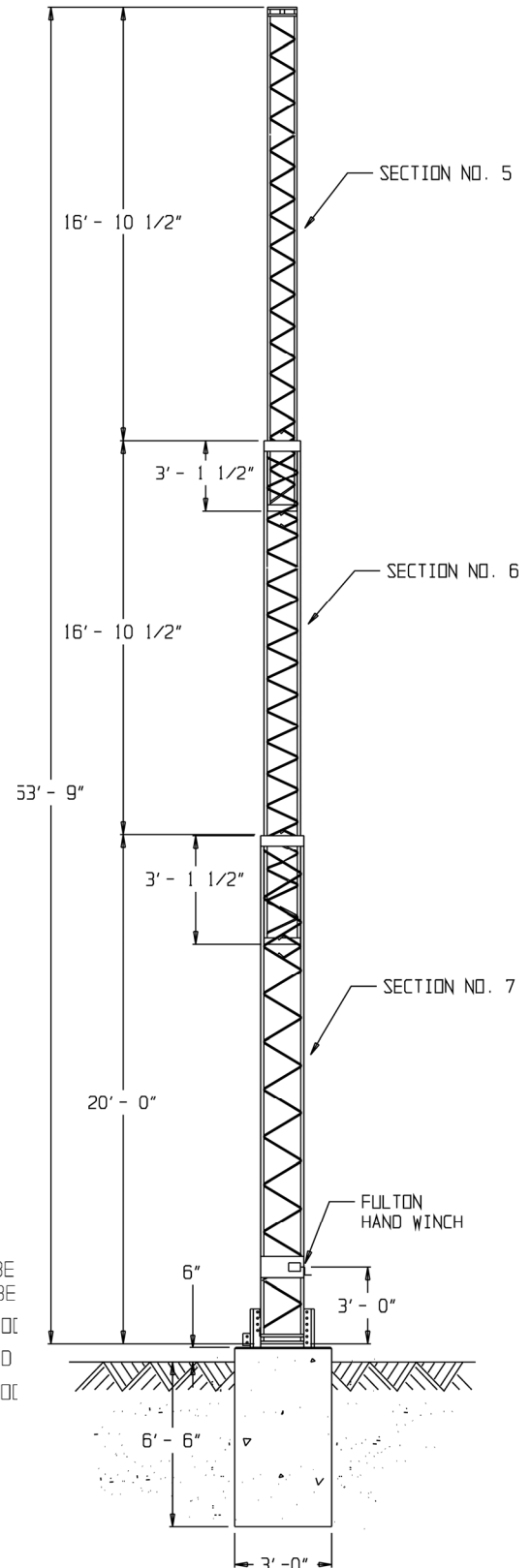
Tower is complete with a manual crank-up winch and hoisting cables, and a rigid concrete base mount. The tower comes equipped with a rotator plate, manual and one set of drawings and calculations. Hoisting cable system designed to extend the tower telescopic section uniformly.

This tower has a pulley frame on two faces. The lifting cable is 1/4 x 7 x 19 Aircraft cable.

Because of high strength tubing and the bracing of solid rod, this design is considered to be the strongest engineering configuration for towers, yet saves weight, resists torsion loads and reduces wind resistance, allowing more useful load to be installed on the tower.

**ACCESSORIES:**

- RCB-54LT (#7 Wide Section)
- Cable Kit for LM-354E
- CO-3 for LM-354E
- Manual Winch
- TA-54
- TB-2 Thrust Bearing
- #5 Rotator Plate



TOWER CROSS SECTION

**PART# 454-4000 \$5,781.00 USD**