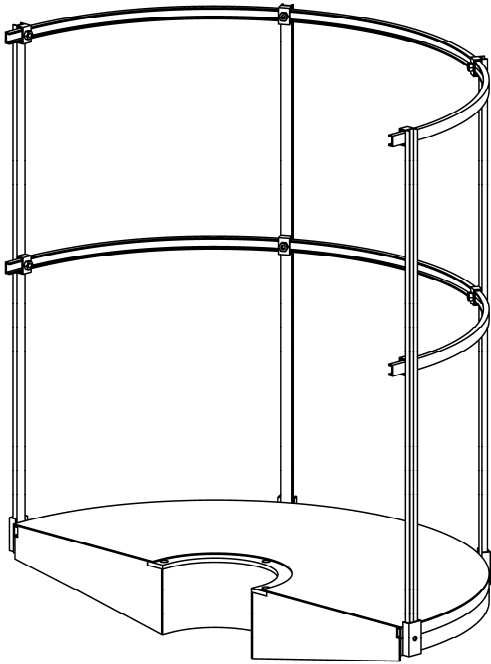
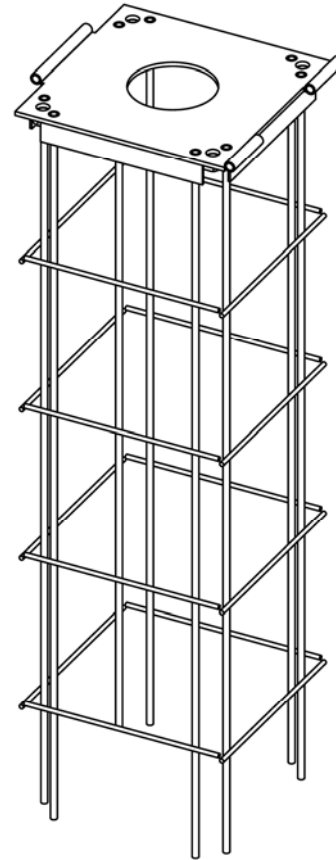


Telescoping Mast Accessories



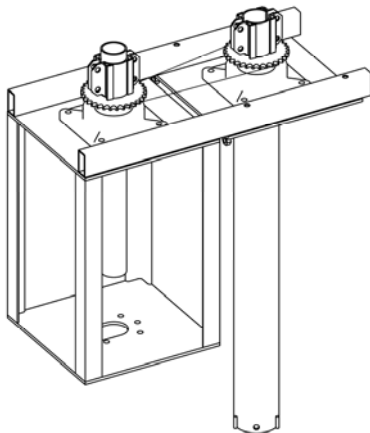
TM Platform Assembly - 525-0101



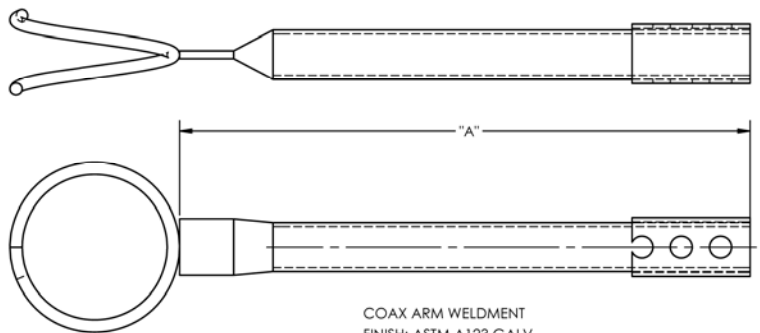
Concrete Base

390-00309 CB-490
for TM-490, TM-5100, TM370HD

370-00308 CB-370
for TM-370



TM Rotator Cage Assembly - 525-9490



COAX ARM WELDMENT
FINISH: ASTM A123 GALV.

DESCRIPTION	SIZE	LENGTH "A"
COAX ARM FOR #10 SECTION	Ø 1 1/4"	12"
COAX ARM FOR #8 SECTION	Ø 1 1/4"	16"
COAX ARM FOR #6 SECTION	Ø 1 1/4"	20"
COAX ARM FOR #4 SECTION	Ø 1 1/4"	24"

Coax Standoff Kits

CO-3 Stand-off for TM Series 525-00404

CO-3 Stand-off for TM Series 525-00405

CO-3 Stand-off for TM Series 525-00406